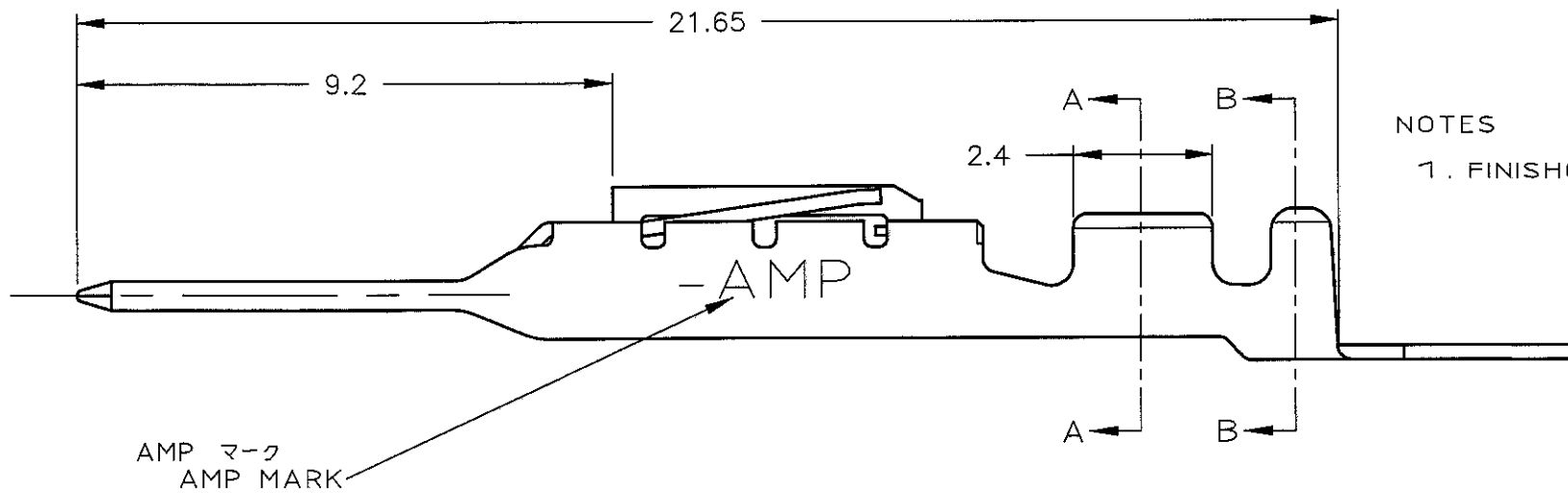
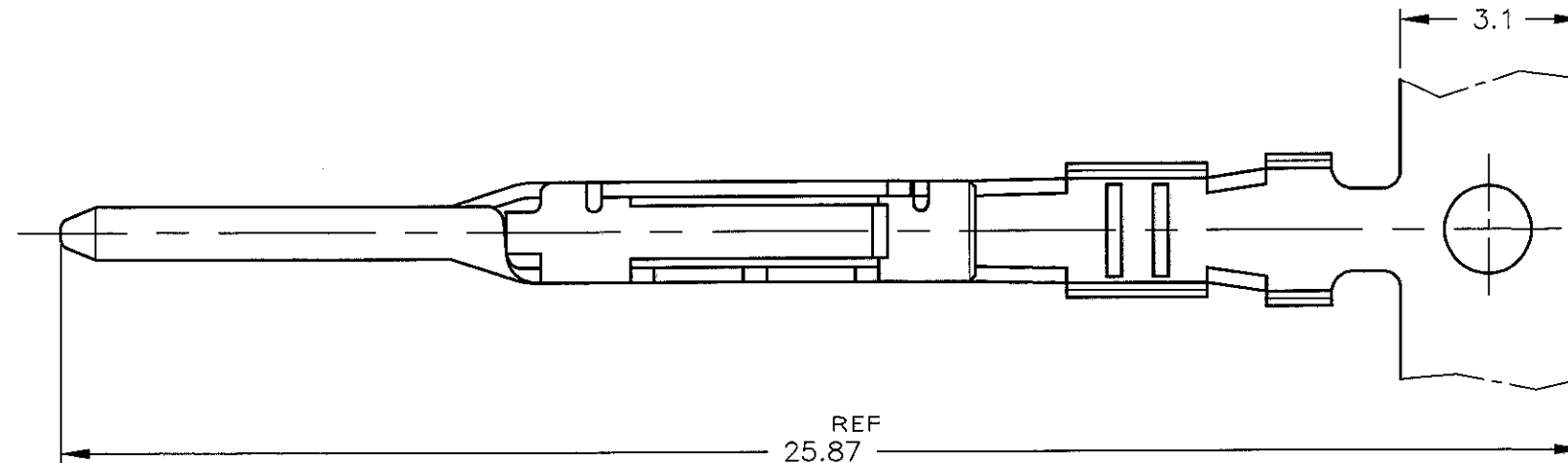
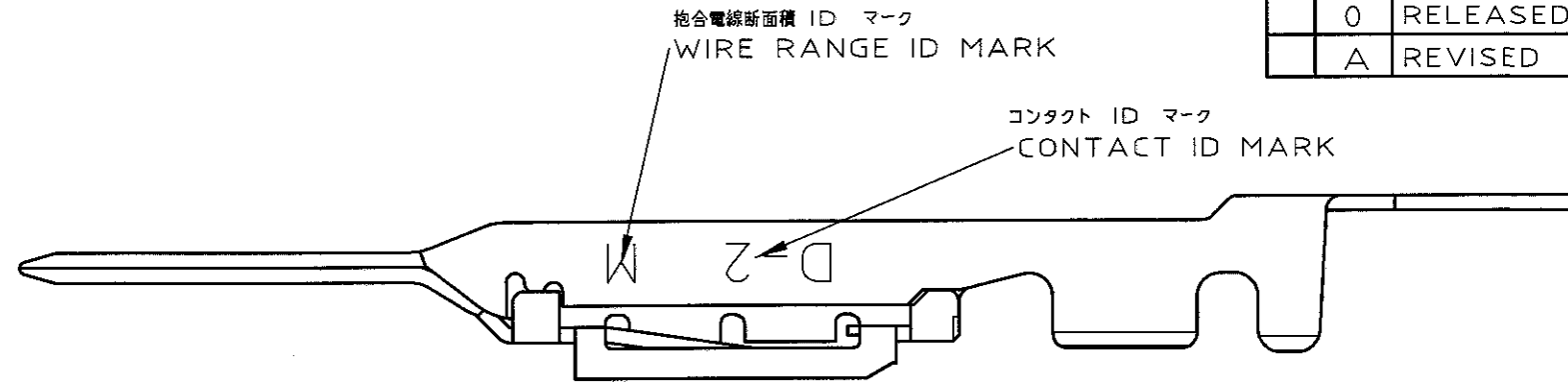
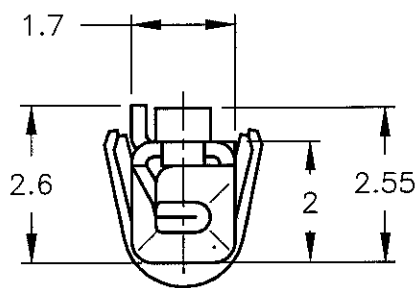
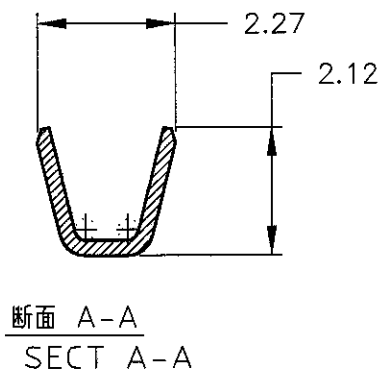
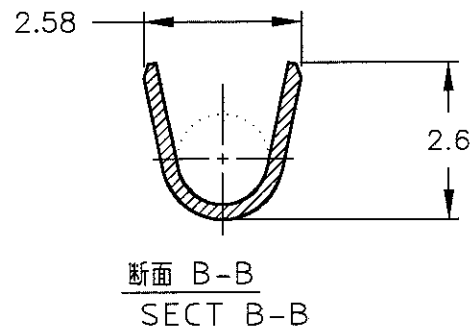


P	LTR	DESCRIPTION	ECN	DATE	DWN	APVD
0		RELEASED	FJ00-1421-98	7/DEC/98	K.I.I.H	
A		REVISED	FJ00-2676-01	11/DEC/01	T.S.M	



-1:AS SHOWN  
-1:本図

注記

1. めっき: コンタクト: 全面Ni下地  
接触部: 0.38μm MIN金めっき

NOTES

1. FINISH (CONTACT AREA): 0.38μm MIN GOLD PLATING  
OVER Ni PLATING

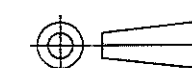
THIS DRAWING IS A CONTROLLED DOCUMENT FOR AMP INCORPORATED. IT IS SUBJECT TO CHANGE AND THE CONTROLLING ENGINEERING ORGANIZATION SHOULD BE CONTACTED FOR THE LATEST REVISION.

7/DEC/98  
CHK K.IKEDA  
7/DEC/98  
N.MATSUBARA  
7/DEC/98  
APVD I.HASEGAWA

DIMENSIONS:  
単位 寸  
mm

TOLERANCES UNLESS  
OTHERWISE SPECIFIED

一般公差	1φ	±0.3
	3φ	>10 : ±0.35
	10φ	>30 : ±0.4
	ANGLE	±3'



MATERIAL  
材料 銅合金  
(COPPER ALLOY)

FINISH  
仕上 注記参照  
SEE NOTE

PRODUCT SPEC  
製品規格  
108-5619  
APPLICATION SPEC  
取付適用規格  
114-5258

WEIGHT  
CUSTOMER DRAWING

WIRE RANGE  
総合電線断面積  
AWG #22~#18  
INSULATION DIA  
絶縁外径  
1.3~1.9

**AMP** Tyco Electronics AMP K.K  
Kawasaki, Japan

NAME  
名称  
TAB CONTACT "M" SIZE  
タブ コンタクト "M" サイズ  
<DYNAMIC D-2 SERIES>

SIZE A3 CAGE CODE 00779 DRAWING NO 1318109 RESTRICTED TO -

SCALE 8-1 SHEET 1 OF 1 REV A